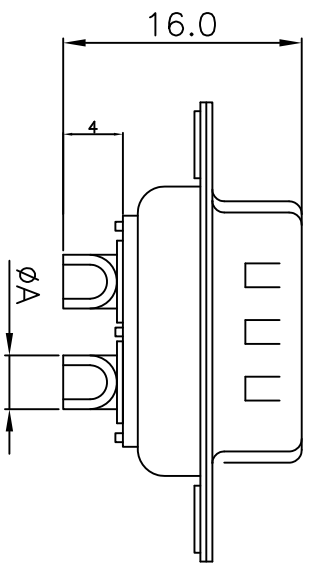
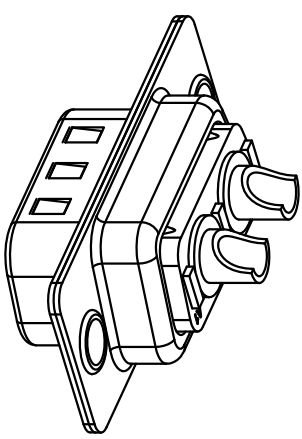
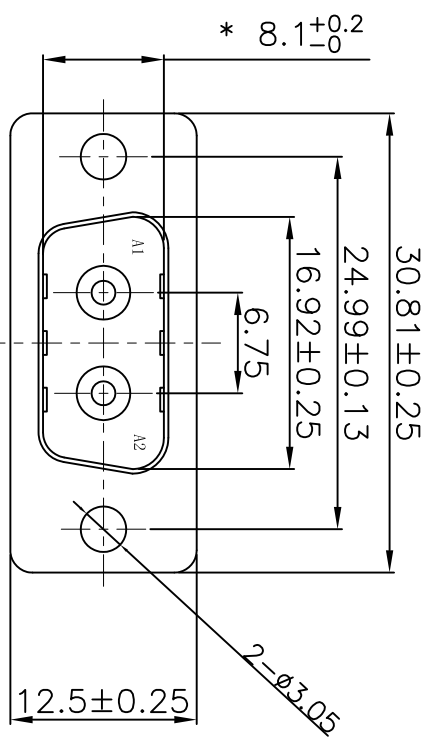
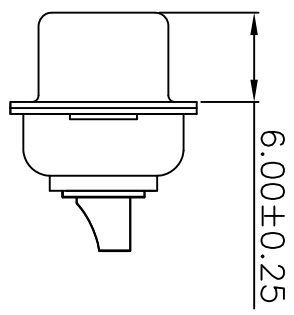


变更标记	日期	变更内容	签名	核准
NO(X)	A	WIRE	CURRENT RATING	
1	2.5	12#	10A	
2	3.6	10#	20A	
3	4.4	8#	30A	



MATERIALS AND FINISH
 SHELL: STEEL OR COPPER ALLOY MATERIAL, Tin/Ni OR Au FINISHED.
 CONNECTOR INSULATOR: PBT THERMOPLASTIC, 30% GLASS FILLED, UL 94V-0 RATED.
 HIGH POWER CONTACT : COPPER ALLOY MATERIAL, GOLD PLATED.
ELECTRICAL CHARACTERISTICS
 HIGH POWER CONTACT CURRENT RATING: 10, 20, 30 OR 40 AMPS.
 THE WORKING VOLTAGE: 300V.
 HIGH POWER CONTACT RESISTANCE: 2.7 MILLIOHMS MAX.
 DIELECTRIC WITHSTANDING VOLTAGE: 1000 V AC FOR 1 MINUTE.
 INSULATION RESISTANCE: 2000 MEGOHMS MIN.
 TEMPERATURE RATING: -55° ~ +125°.

DW-2 M 2 X X C X 0 A D

COLOUR
 B: Blue K: Black W: White

Contact Finish
 A: Gold Flash C: Gold Flash3U"
 D: Gold Flash5U" E: Gold Flash15U"
 F: Gold Flash30U" G: Gold T: Tin

Current
 0 A: 5 B: 10 C: 40 D: 20 E: 30

东莞扬顺五金电子有限公司 Dong Guan City Yang Shun Hardware Electron Co.,Ltd			
未注公差	设计 刘峰	品名规格	2W2公 焊线式 短体
X. ±0.30	审核	料号	型号
X.X ±0.20	核准	日期	图号
X.XX ±0.10	单位	2017. 11. 22	YS-11-0207
X.XXX ±0.05	mm	比例	版次
X° ±2° X X° ±1°	mm	1:1	A/0